

With pneumatic actuator

ARI-STEVI®BBD 415
Pneumatic actuator

- Required air supply pressure max. 6 bar
- Options:
 - Assembly of additional devices
 - Lever

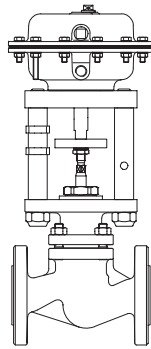
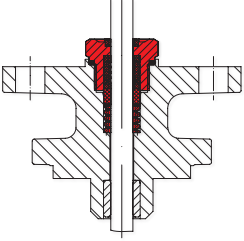
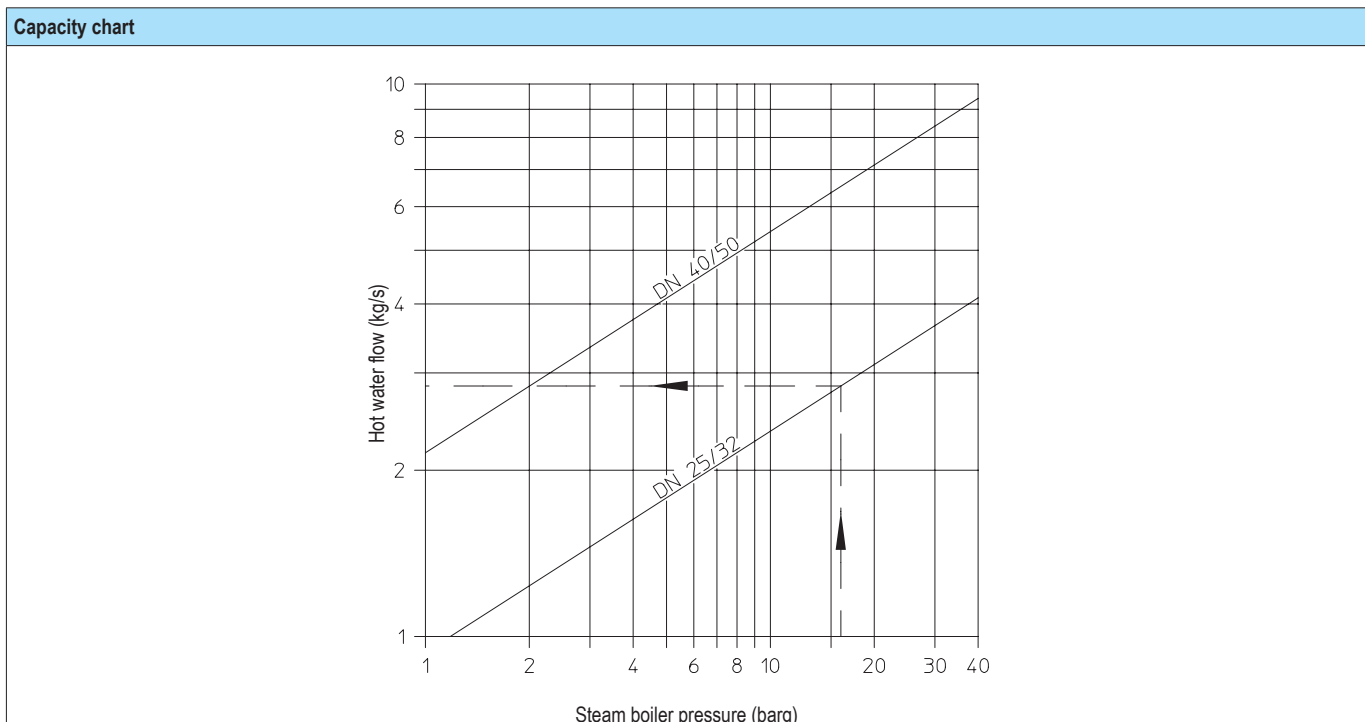


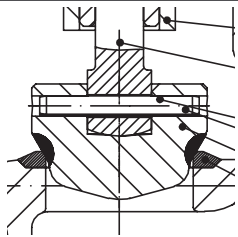
Fig. 415

Figure	Nominal pressure	Material	Nominal diameter	Information / restriction of technical rules need to be observed!
35.415	PN40	1.0619+N	DN 25 - 50	ARI-Valves of EN-JL1040 are not allowed to be operated in systems acc. to TRD 110.
Other materials and versions on request.				A production permission acc. to TRB 801 No. 45 is available. (acc. to TRB 801 No. 45 EN-JL1040 is not allowed.) The engineer, designing a system or a plant, is responsible for the selection of the correct valve. Resistance and fitness must be verified (contact manufacturer for information, refer to Product overview and Resistance list).





Stem sealing	
Fig. 415	standard 
	I. PTFE-V-ring unit -10°C to 240°C

Pressure-temperature-ratings			Intermediate values for max. permissible operational pressures can be determined by linear interpolation of the given temperature / pressure chart.							
acc. to manufacturers standard			-10°C to 120°C	150°C	200°C	250°C	300°C	350°C	400°C	450°C
1.0619+N	PN40	(bar)	40	38,1	35	32	28	25,7	23,8	13,1

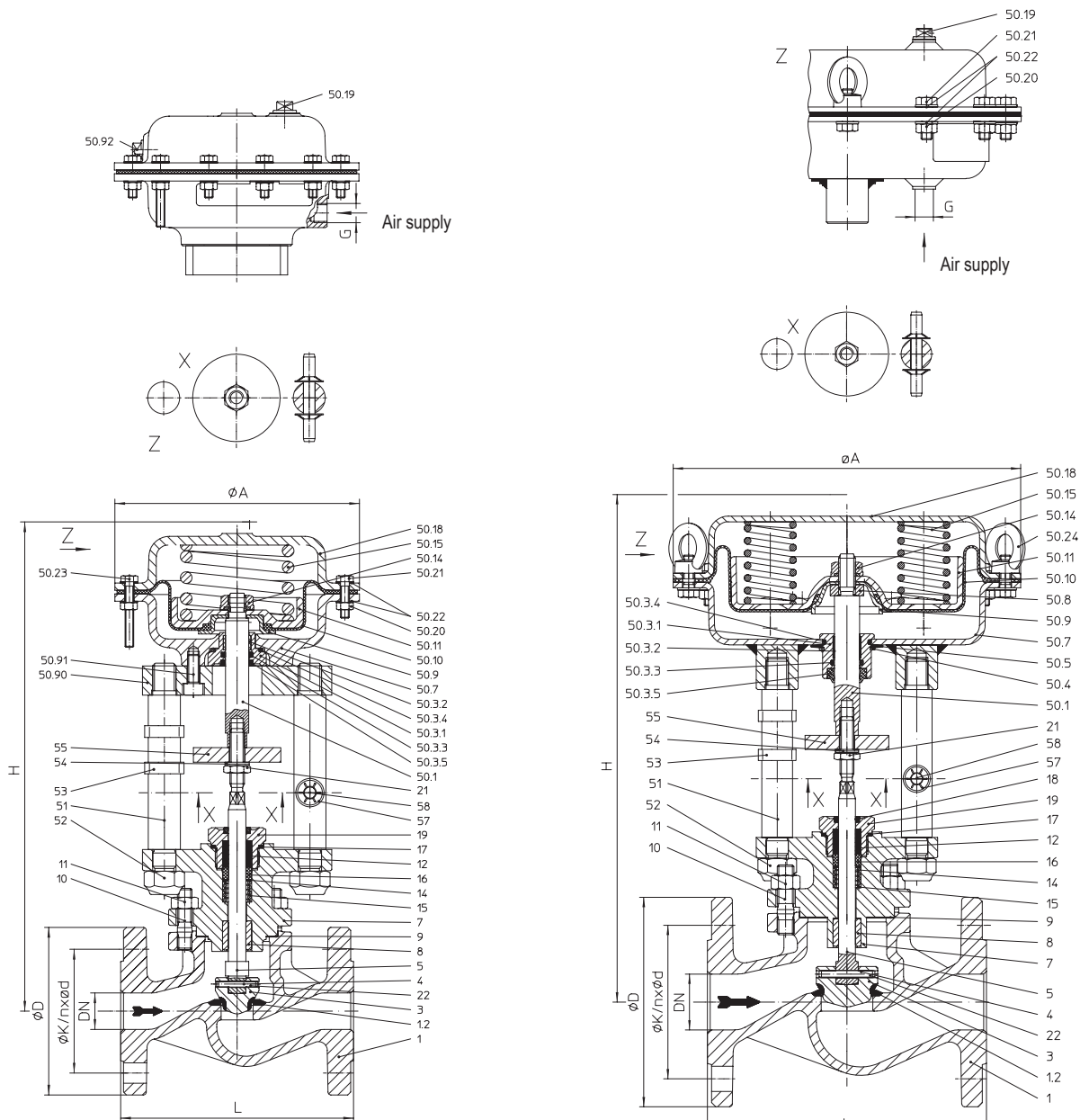


Plug design standard		Guiding
Isolation plug with marginal seat, stellite, metal seat	- Leakage class 1 acc. to DIN 3230 T3 / BN	 Stem

Auxiliary energy
<ul style="list-style-type: none"> • Max. permissible air supply pressure: 6 bar • Air supply acc. to DIN IEC 60654-2 • Water free from dirt and corrosives, max. temperature +80°C

Accessories	
 Lever	 Solenoid valve
 Limit switch	 Air set including gauge (in combination with solenoid valve)

Straight through blow down valve


Fig. 415
DN 25 - 32
Fig. 415
DN 40 - 50

DN		25	32	40	50
Seat-Ø	(mm)	22	27	37	47
Travel	(mm)	8	7	10	13

Kvs-value					
standard	(m³/h)	6,4	6,4	14,7	14,7

Face-to-face dimension FTF series 1 according to DIN EN 558					
L	(mm)	160	180	200	230

Flanges acc. to DIN EN 1092-1/-2			Flange holes / -thickness tolerances acc. to DIN 2533/2544/2545			
Ø D	PN40	(mm)	115	140	150	165
Ø K		(mm)	85	100	110	125
n x Ø d1		(mm)	4 x 14	4 x 18	4 x 18	4 x 18

Dimensions					
H	(mm)	336	336	364	370
Ø A	(mm)	168	168	250	250
G	(inch)	1/4"	1/4"	1/4"	1/4"

Weight					
35.415	(kg)	13	15	18,3	21,5

Pos.	Sp.p.	Description	Fig. 35.415 DN 25 - 32	Fig. 35.415 DN 40 - 50
1		Body	GP240GH+N, 1.0619+N	
1.2		Seat ring	Stellit 21	
3	x	Plug	X6CrNiMoTi17-12-2, 1.4571 / Stellit 6	
4	x	Locking pin	X10CrNi18-8, 1.4310	
5	x	Stem	X20Cr13+QT, 1.4021+QT	
7		Mounting bonnet	GP240GH+N, 1.0619+N	
8		Guide bushing	X20Cr13+QT, 1.4021+QT (hardened)	
9	x	Gasket	Novaphit SSTC (CrNi laminated with graphite)	
10		Stud	25CrMo4, 1.7218	
11		Hexagon nuts	C35E, 1.1181	
12	x	V-ring unit	PTFE	
14	x	Washer	X5CrNi18-10, 1.4301	
15	x	Compression spring	X10CrNi18-8, 1.4310	
16	x	Bush	PTFE (strengthened)	
17	x	Gasket	Cu / Soft iron	
19	x	Coupling	X8CrNiS18-9, 1.4305 / PTFE	
21		Hexagon nuts	17H - A4G	
22	x	Locking pin	X10CrNi18-8, 1.4310	
50.1		Stem DP	X20Cr13+QT, 1.4021+QT	
50.3.1	x	Stem guiding	X20Cr13+QT, 1.4021+QT	
50.3.2	x	Guide bush	PTFE + 25%C	
50.3.3	x	O-ring (Stem)	NBR 70	
50.3.4	x	O-ring (Guiding)	NBR 70	
50.3.5	x	Scraper	PTFE GF	
50.4		Retaining ring	--	FSt - A2B
50.5		Disc spring	--	C75S, 1.1248
50.7		Diaphragm housing	EN-JS1049, EN-GJS-400-18U-LT	DD13+QT, 1.0335+QT
50.8		Bush	--	X20Cr13+QT, 1.4021+QT
50.9		Diaphragm flange	11SMnPb30+C, 1.0718+C	DD13+QT, 1.0335+QT
50.10	x	Diaphragm	50 NBR 253	
50.11		Diaphragm plate	11SMnPb30+C, 1.0718+C	
50.14		Flange nut	8 - A4G	
50.15	x	Compression spring	SH	
50.18		Diaphragm hood	EN-JS1049, EN-GJS-400-18U-LT	DD13+QT, 1.0335+QT
50.19		Screwed cap	PP	
50.20		Hexagon nut	8 - A2G	
50.21		Hexagon screw	8.8 - A2G	
50.22		Washer	St - A2G	
50.23		Hexagon screw	8.8 - A2G	
50.24		Eye nut	--	C15, 1.0401 - A4G
50.90		Traverse	S235JR, 1.0037	
50.91		Cheese head screw	8.8 - A2B	
50.92		Screwed cap	PP	
51		Distance column	X20Cr13+QT, 1.4021+QT	
52		Hexagon nut	8 - A2B	
53		2-ear clamp	St	
54		Lock washer pair	St	
55		Travel indicator	X20Cr13+QT, 1.4021+QT	
57		Washer disc	C75S, 1.1248	
58		Parallel pin	A1	
		L Spare parts		

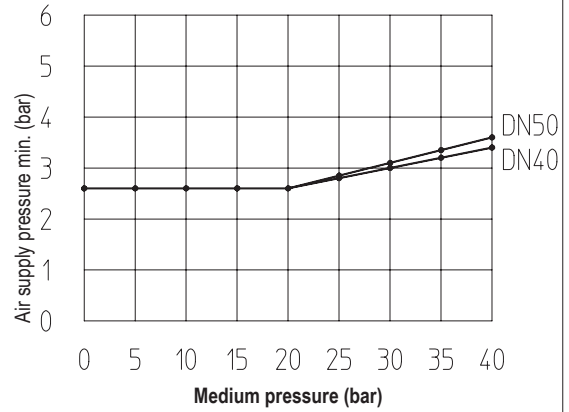
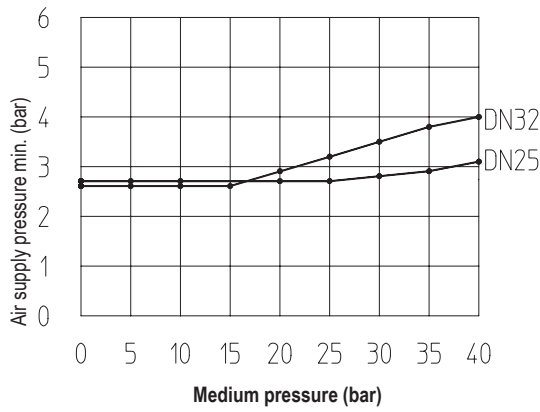
Capacity chart

on flow-to-close

DN	Spring range	Filling volume
	(bar)	(l)
25	1,55 - 2,50	0,25
32	1,55 - 2,40	0,25
40	1,6 - 2,4	1,1
50	1,4 - 2,4	1,1



Spring closes on air failure (NC)
(Extended stem on air failure)



Please indicate when ordering:

- Figure-No.
- Nominal diameter
- Nominal pressure
- Stem sealing
- Special design / accessories

Example:

Figure 35.415; Nominal diameter DN40; Nominal pressure PN40; Stem sealing: PTFE-V-ring unit



Technology for the Future.
GERMAN QUALITY VALVES

ARI-Armaturen Albert Richter GmbH & Co. KG, D-33756 Schloß Holte-Stukenbrock,
Tel. +49 52 07 / 994-0, Telefax +49 52 07 / 994-158 or 159 Internet: <http://www.ari-armaturen.com> E-mail: info.vertrieb@ari-armaturen.com