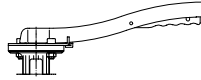


ARI-ZIVA[®]-Z	Wafer type butterfly valve	BR 014
ARI-ZIVA[®]-G	Lug type butterfly valve	BR 015



ARI-ZIVA[®]-Z / ARI-ZIVA[®]-G with notch lever



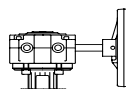
Page 6



BR 014 - ZIVA[®]-Z

ARI-ZIVA[®]-Z / ARI-ZIVA[®]-G with worm gear

- with variable adjustment
- self-locking



Page 6

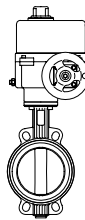


BR 015 - ZIVA[®]-G

ARI-ZIVA[®]-Z / ARI-ZIVA[®]-G

Electric rotary actuator rotork

- for intermittent and continuous service
- 230V 50Hz
- enclosure IP 67

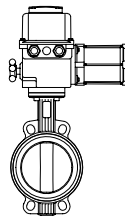


Page 7

ARI-ZIVA[®]-Z / ARI-ZIVA[®]-G

Electric rotary actuator Deufra

- type of operation, on/off S4 30% (or control S4 50%)
- 230V 50Hz (400V 50Hz)
- enclosure IP 67

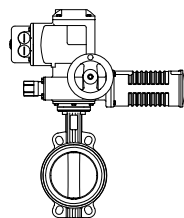


Page 8

ARI-ZIVA[®]-Z / ARI-ZIVA[®]-G

Electric rotary actuator Auma

- for temporary service S 2-15 min. (or control S4 25%)
- 400V 50Hz (230V 50Hz)
- enclosure IP 67

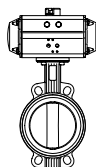


Page 9

ARI-ZIVA[®]-Z / ARI-ZIVA[®]-G

pneumatic part-turn actuator AIR TORQUE / bar

- Function: double acting
- Function: single acting, spring closes (opens)
- Actuating pressure 6 bar (=0,6 MPa)



Page 10/11

Features:

- Soft sealing
- Maintenance-free
- Good flow characteristic due to excellent Zeta-values
- Body material: EN-JS 1030 (GGG-40)
- High quality epoxyd coating
- EPDM (W270) / NBR / FPM lining
- Changeable lining, body detachable
- Straight through spindle with 3 supports
- Spindle blow out protection
- Stainless steel disc
- Shaft / Disc connection not in contact with the medium
- Complete insulation possible according to the german „Energy saving order - EnEV“
- Central disc bearing
- Slip on flange DIN EN 1092-1
- NBR approval for DIN DVGW Reg. gas (in preparation)
- EPDM approval for DIN DVGW Reg. water (in preparation)

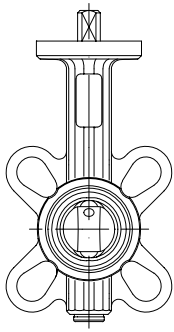
ZIVA[®]-Z: • **Wafer type**

ZIVA[®]-G: • **Lug type**

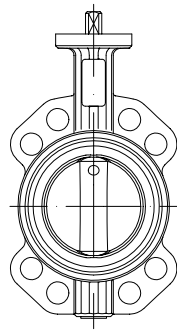
- As a pipe-end valve
- Pipeline one-side detachable



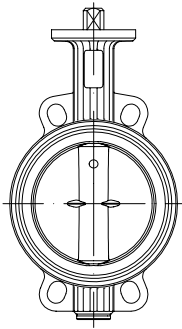
Figure	Nom. press.	Disc / Stem	Seat
20.014	PN 6		
21.014	PN10	1.4581 / 1.4021	EPDM / NBR / FPM
22.014	PN16		



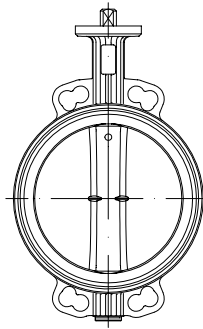
DN 25 - 65



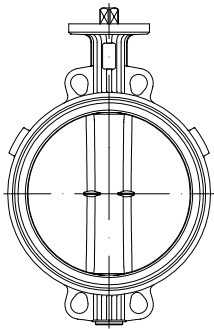
DN 80 - 100



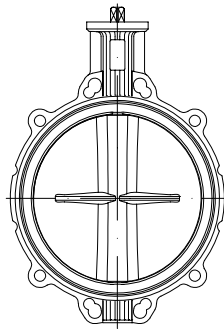
DN 125 - 150



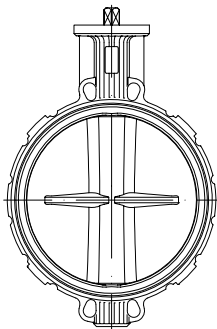
DN 200



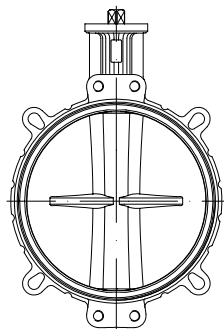
DN 250 - 300



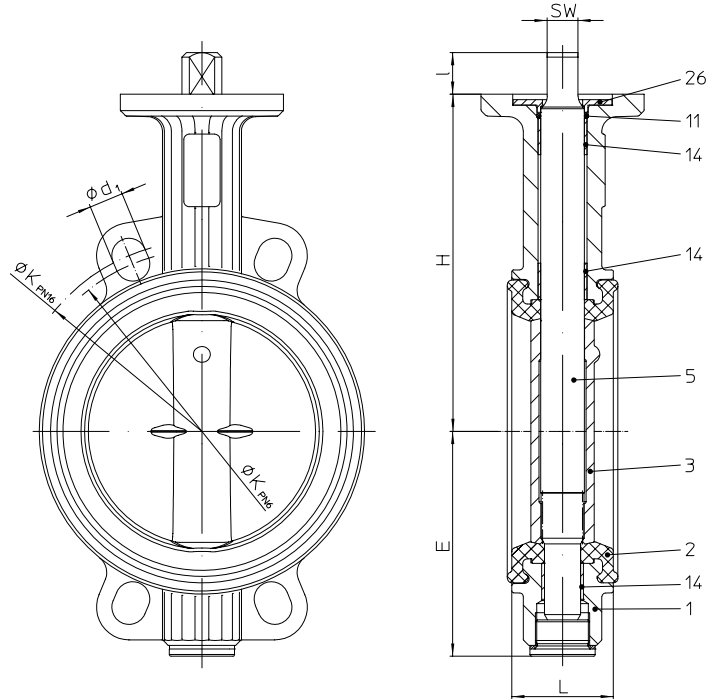
DN 350



DN 400



DN 500 - 600



- Pressure range:** 16 bar
- Max. differential pressure:** 16 bar (DN 25-150)
10 bar (DN 200-600)
- Sealing leakage test:** DIN 3230 T3 Leakage rate 1
- Temperature range:** EPDM - 10 °C to + 130 °C
NBR - 10 °C to + 80 °C
FPM - 10 °C to + 150 °C
(FPM not for hot water useable)
- Body material:** EN-JS 1030 DIN EN 1563 (GGG-40)
EN-JS 1049 DIN EN 1563 (GGG-40.3)

Selection of possible applications

- Industrial installations
 - Chemical installations
 - Shipbuilding
 - Special applications: building technology
- Other applications on request -

Order data:

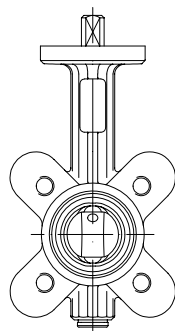
ARI-ZIVA®-Z - Wafer type butterfly valve, maintenance free, soft seal seat in, disc of material-no....., PN 6/16, DN, type of actuator

Pressure - temperature - ratings

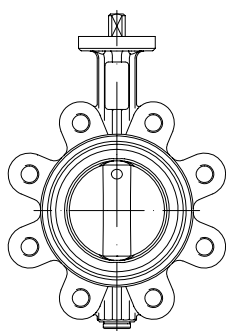
Material	PN	Temperature			
		- 10°C	120°C	130°C	150°C
EN-JS 1030	16	16 bar	16 bar	15,8 bar	15,5 bar
EN-JS 1049		16 bar	16 bar	15,8 bar	15,5 bar

Operating range depends on existing service conditions and technical regulations.
Intermediate values for max. permissible operational pressures can be determined by linear interpolation of the given temperature / pressure chart from 120°C upwards.

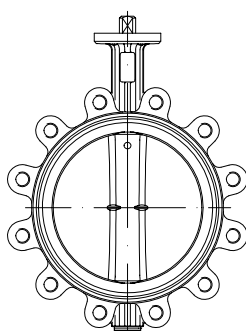
Figure	Nom. press.	Disc / Stem	Seat
21.015	PN10	1.4581 / 1.4021	EPDM / NBR / FPM
22.015	PN16		



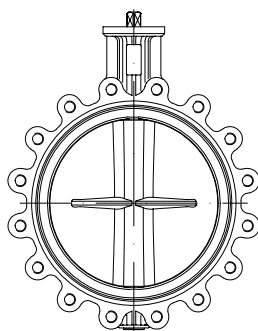
DN 25 - 65



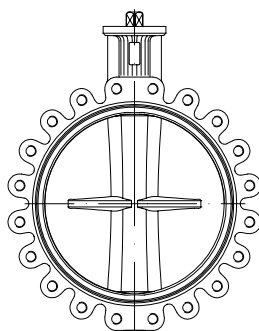
DN 80 - 150



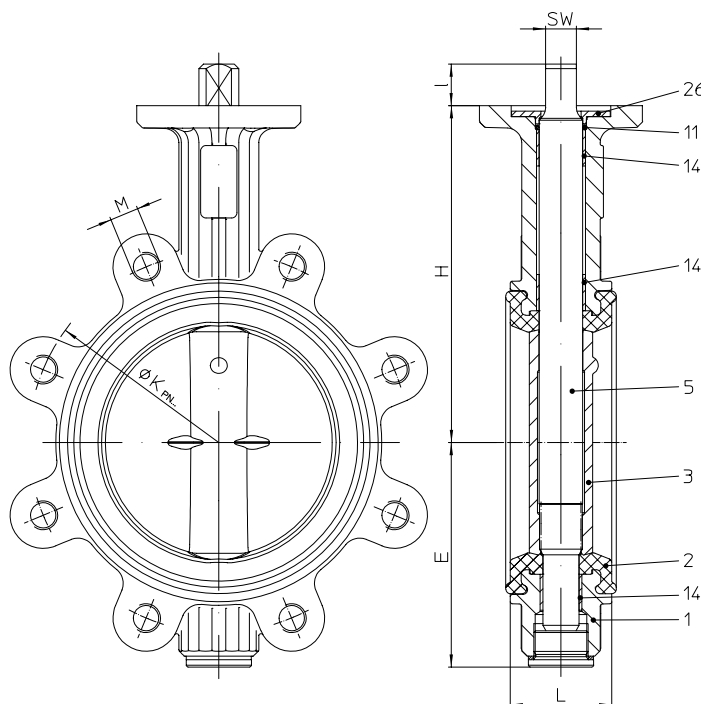
DN 200 - 300



DN 350 - 400



DN 500 - 600



- Pressure range:** 16 bar
- Max. differential pressure:** 16 bar (DN 25-150)
10 bar (DN 200-600)
- Sealing leakage test:** DIN 3230 T3 Leakage rate 1
- Temperature range:** EPDM - 10 °C to + 130 °C
NBR - 10 °C to + 80 °C
FPM - 10 °C to + 150 °C
(FPM not for hot water useable)
- Body material:** EN-JS 1030 DIN EN 1563 (GGG-40)
EN-JS 1049 DIN EN 1563 (GGG-40.3)

Selection of possible applications

- Industrial installations
 - Chemical installations
 - Shipbuilding
 - Special applications: building technology
- Other applications on request -

Order data:

ARI-ZIVA®-G - Lug type butterfly valve, maintenance free,
soft seal seat in, disc of material-no.,
PN 10/16, DN, type of actuator

Pressure - temperature - ratings

Material	PN	Temperature			
		- 10°C	120°C	130°C	150°C
EN-JS 1030	16	16 bar	16 bar	15,8 bar	15,5 bar
EN-JS 1049		16 bar	16 bar	15,8 bar	15,5 bar

Operating range depends on existing service conditions and technical regulations.

Intermediate values for max. permissible operational pressures can be determined by linear interpolation of the given temperature / pressure chart from 120°C upwards.

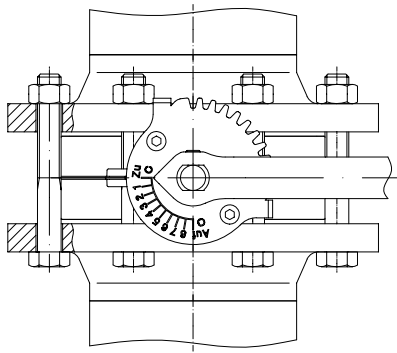


Fig. 1: ZIVA®-Z Wafer-type-valve

Welding neck flanges
PN 6/10/16
DIN EN 1092-1/11/B1

Hexagon screw
DIN EN ISO 4016 Mat.-No. 4.6

Hexagon nut
DIN EN ISO 4034 Mat.-No. 5

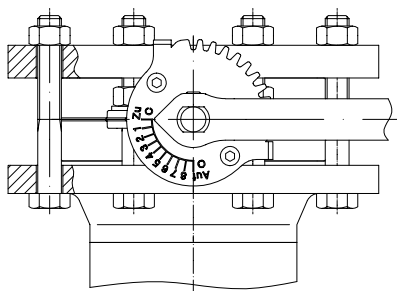


Fig. 2: ZIVA®-Z Wafer-type-pipe-end-valve
(on request)

Mounting as pipe-end
with washer
DIN EN ISO 7089 (DIN125)

Losflansch

Hexagon screw
DIN EN 24018 Mat.-No. 4.6

Hexagon nut
DIN EN 24035 Mat.-No. 5

Disc
DIN EN ISO 7089 (DIN125)

Dimension of hexagon screws for ZIVA®-Z

DN	Figure 1 / 2		
	PN 6	PN 10	PN 16
25	4 x M10 x 75	4 x M12 x 90	4 x M12 x 90
32	4 x M12 x 80	4 x M16 x 90	4 x M16 x 90
40	4 x M12 x 80	4 x M16 x 90	4 x M16 x 90
50	4 x M12 x 90	4 x M16 x 100	4 x M16 x 100
65	4 x M12 x 90	4 x M16 x 110	4 x M16 x 110
80	4 x M16 x 100	8 x M16 x 110	8 x M16 x 110
100	4 x M16 x 110	8 x M16 x 120	8 x M16 x 120
125	8 x M16 x 120	8 x M16 x 120	8 x M16 x 120
150	8 x M16 x 120	8 x M20 x 130	8 x M20 x 130
200	8 x M16 x 120	8 x M20 x 140	12 x M20 x 140
250	12 x M16 x 140	12 x M20 x 150	12 x M24 x 150
300	12 x M20 x 150	12 x M20 x 160	12 x M24 x 170
350	12 x M20 x 150	16 x M20 x 160	16 x M24 x 170
400	16 x M20 x 170	16 x M24 x 180	16 x M27 x 200
500	16 x M20 x 210	16 x M24 x 220	16 x M30 x 250
	4 x M20 x 50	4 x M24 x 50	4 x M30 x 70
600	16 x M24 x 240	16 x M27 x 250	16 x M33 x 300
	4 x M24 x 70	4 x M27 x 70	4 x M33 x 90

To ensure the seat tightness, a loose or counter flange is necessary.

The installation between, to above deviating flanges, is not or under special care possible. Please consult us.

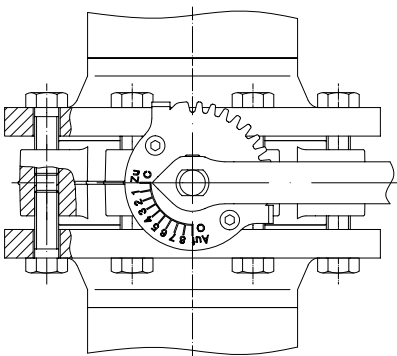


Fig. 3: ZIVA®-G Wafer-type-valve

When used on end of line applications, a safety precaution (blind flange, etc.) is recommended.

Welding neck flanges
PN 10/16
DIN EN 1092-1/11/B1

Hexagon screw
DIN EN ISO 4018 Mat.-No. 4.6

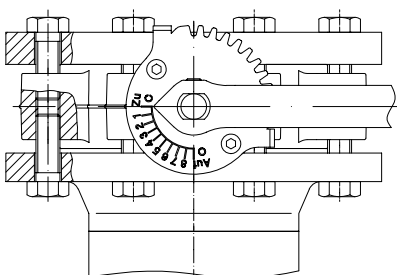


Fig. 4: ZIVA®-G Pipe-end-valve

Welding neck flanges
PN 10/16
DIN EN 1092-1/11/B1

Hexagon screw
DIN EN ISO 4018 Mat.-No. 4.6

Dimension of hexagon screws for ZIVA®-G

DN	Figure 3 / 4	
	PN 10	PN 16
25	4 x M12 x 30	4 x M12 x 30
32	4 x M16 x 30	4 x M16 x 30
40	4 x M16 x 30	4 x M16 x 30
50	4 x M16 x 35	4 x M16 x 35
65	4 x M16 x 35	4 x M16 x 35
80	8 x M16 x 40	8 x M16 x 40
100	8 x M16 x 40	8 x M16 x 40
125	8 x M16 x 45	8 x M16 x 45
150	8 x M20 x 45	8 x M20 x 45
200	8 x M20 x 50	12 x M20 x 50
250	12 x M20 x 55	12 x M24 x 55
300	12 x M20 x 60	12 x M24 x 60
350	16 x M20 x 60	16 x M24 x 65
400	16 x M24 x 70	16 x M27 x 75
500	16 x M24 x 85	16 x M30 x 100
	4 x M24 x 50	4 x M30 x 70
600	16 x M27 x 100	16 x M33 x 120
	4 x M27 x 70	4 x M33 x 90

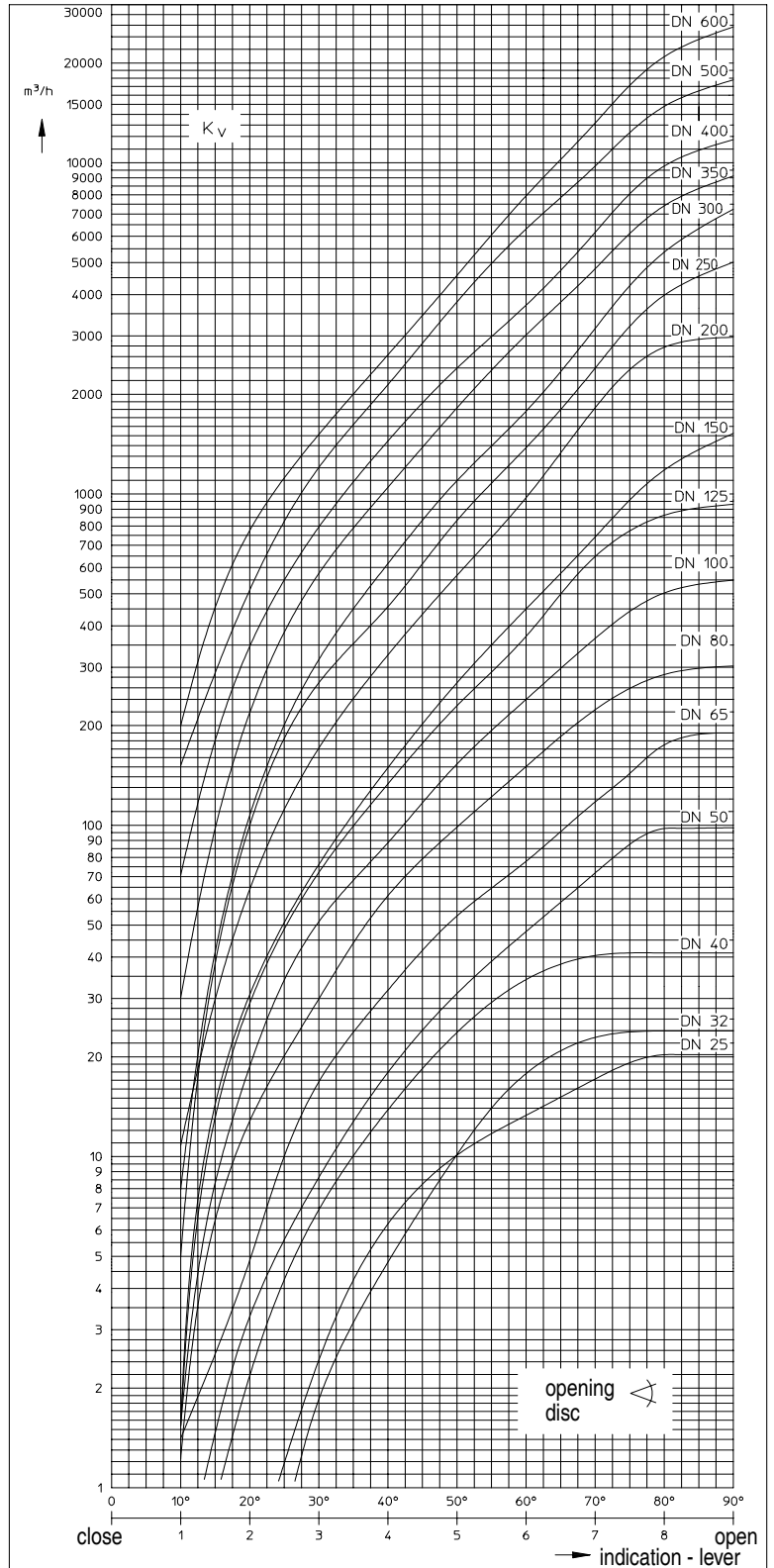
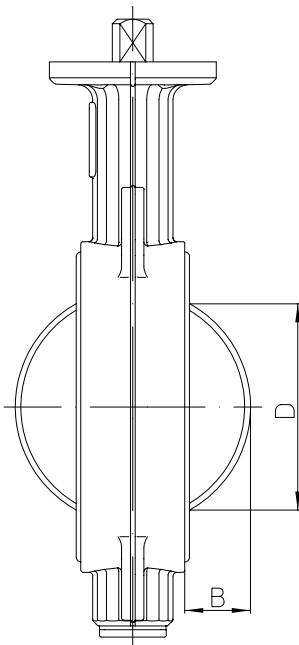
To ensure the seat tightness, a loose or counter flange is necessary.

The installation between, to above deviating flanges, is not or under special care possible. Please consult us.

ARI-ZIVA[®]-Z / ARI-ZIVA[®]-G Butterfly valve

Flow diagram

DN	Zeta-Value	Kvs-Value
25	1,52	20
32	2,93	24
40	2,42	41
50	1,03	98
65	0,79	190
80	0,72	302
100	0,53	550
125	0,45	930
150	0,32	1525
200	0,29	3000
250	0,25	5000
300	0,24	7300
350	0,28	9200
400	0,29	11800
500	0,32	17800
600	0,32	25500

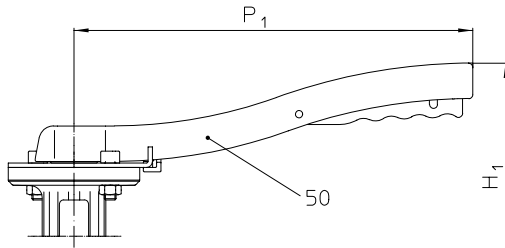


Difference between disc outside-diameter and face-to-face

DN	25 - 32	40	50	65	80	100	125	150	200	250	300	350	400	500	600
B	--	5	5	11	18	25	36	48	71	91	112	132	147	188	224
D	--	26	29	49	68	88	115	142	194	243	292	333	383	486	580

ARI-ZIVA[®]-Z / ARI-ZIVA[®]-G Butterfly valve with soft seal, maintenance free with lever

Notch lever

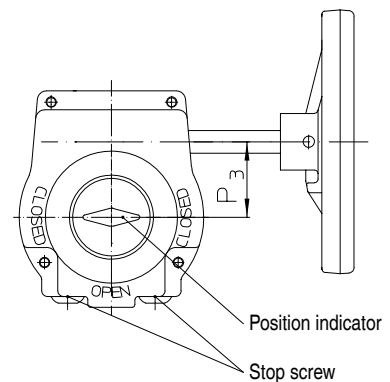
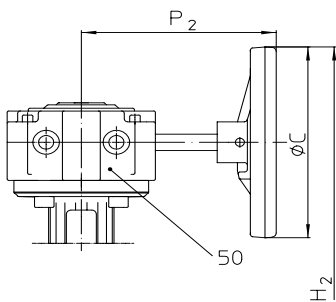


For diameters larger than DN 125 we recommend using a gear mechanism.
Gear recommended for inaccessible installation (see below).

DN	25	32	40	50	65	80	100	125	150	200	250	300	350	400	500	600
H1	180	180	186	192	202	210	231	257	273	307						
P1	184	184	184	184	184	184	184	273	273	273						
Weight ZIVA-Z (kg)	2,0	2,0	2,3	3,0	3,5	4,2	5,1	7,8	9,3	13,2						
Weight ZIVA-G (kg)	2,6	2,6	2,8	3,5	4,0	5,6	7,0	10,0	11,8	17,6						

Worm gear

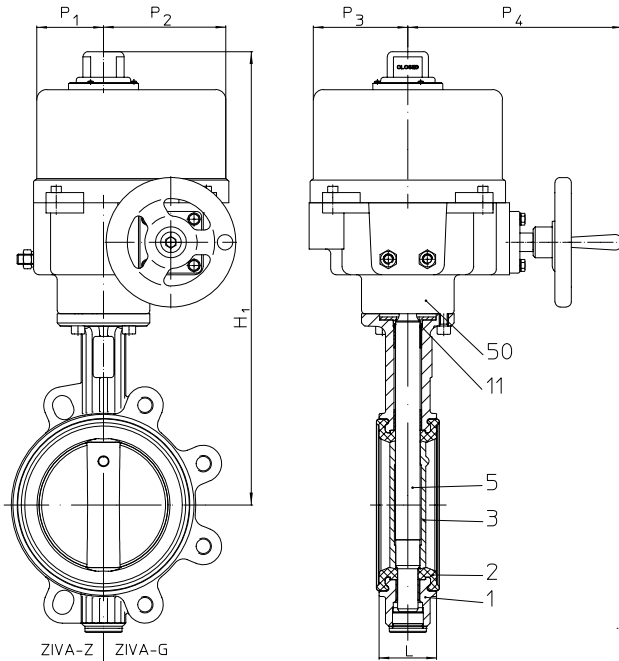
- With variable adjustment
- Self-locking



The OPEN/COSED-position can be adjusted to $\pm 5^\circ$ by a stop screw.

DN	25	32	40	50	65	80	100	125	150	200	250	300	350	400	500	600
H2	215	215	221	227	237	245	266	284	300	334	416	445	511	560	740	900
P2	130										210			340	540	
P3	40										75			90		
$\varnothing C$	140										225			400	600	
Type of gear	AM-0P										AM-2P			AM-S		
Weight ZIVA-Z (kg)	2,8	2,8	3,1	3,7	4,2	4,9	5,9	7,9	9,4	13,3	26,0	35,4	51,8	76,9	147,8	234,2
Weight ZIVA-G (kg)	3,3	3,3	3,5	4,2	4,8	6,3	7,7	10,1	12,0	17,3	31,6	42,6	65,0	98,4	190,7	303,5

ARI-ZIVA®-Z / ARI-ZIVA®-G- Butterfly valve with soft seal, maintenance free with electric rotary actuator Type: rotork

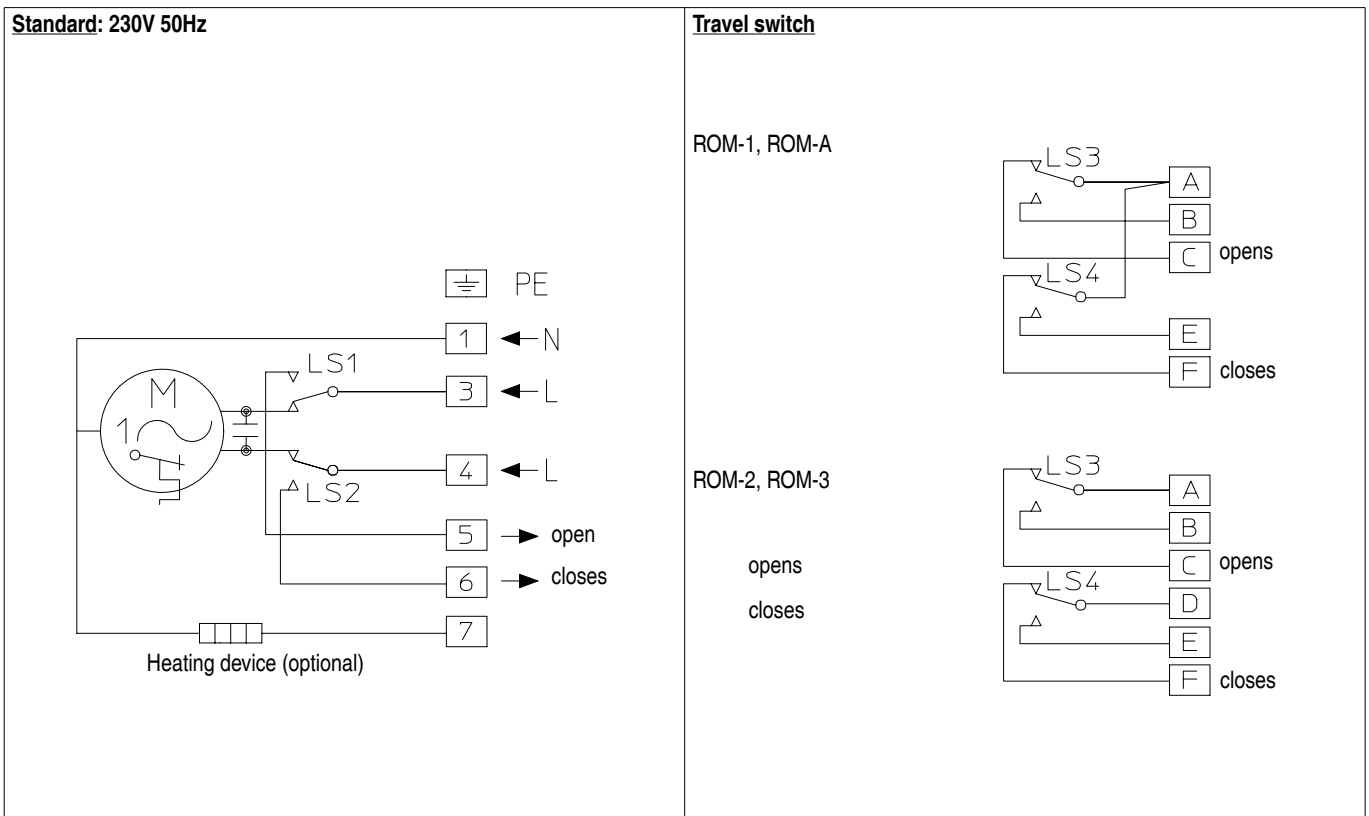


rotork Electric rotary actuator

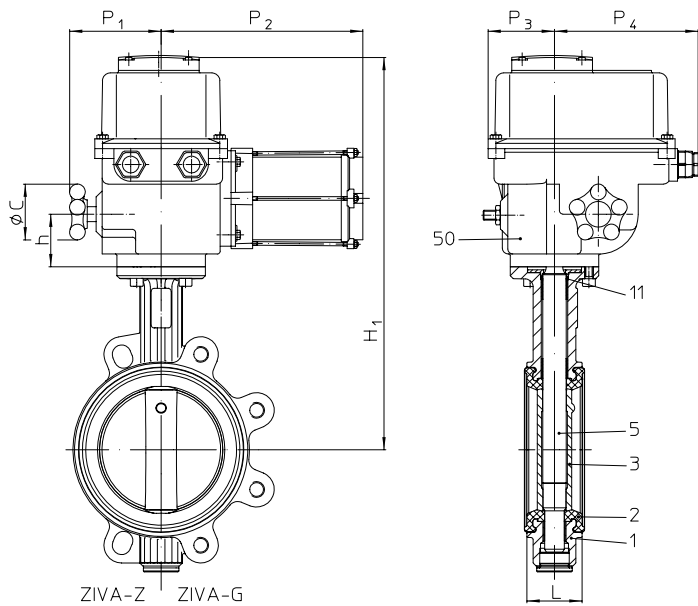
- For intermittent/continuous service, 230V 50Hz, 30% ED;
- Enclosure IP 67
- Temperature guard in the motor
- **Accessories:**
 - Travel switch
 - Potentiometer (1000 Ohm)
 - Positioner 4-20 mA
 - Reset to start on failure
 - Position-transmitter
 - Heating device
- Voltages: 12VDC/VAC, 24VDC/VAC, 110V
other voltages on request

DN	25	32	40	50	65	80	100	125	150	200	250	300	350	400	500
H1	267	267	273	279	289	297	368	441	457	491					
P1 / P2	35 / 80						54 / 54		82 / 118						
P3 / P4	54 / 54						54 / 54		100 / 230						
Type of actuator	ROM -1						ROM-A	ROM-2	ROM-3						
Operating time (sec.)	13						24	17	26						
Weight ZIVA-Z (kg)	3,3	3,3	3,6	4,2	4,7	5,4	7,4	15,4	16,9	20,8					
Weight ZIVA-G (kg)	3,8	3,8	4,0	4,7	5,3	6,8	9,2	17,6	19,5	24,8					

For connection refer to terminal connection in the operating instructions of the actuator !



ARI-ZIVA[®]-Z / ARI-ZIVA[®]-G Butterfly valve with soft seal, maintenance free with electric rotary actuator Type: Deufra



Deufra Electric rotary actuator

- Type of operation on/off S4 30% (optional: for control S4 50%)
- 230V 50Hz (400V 50Hz (not at OA3))
- Enclosure IP 67
- Temperature guard in the motor
- Heating device

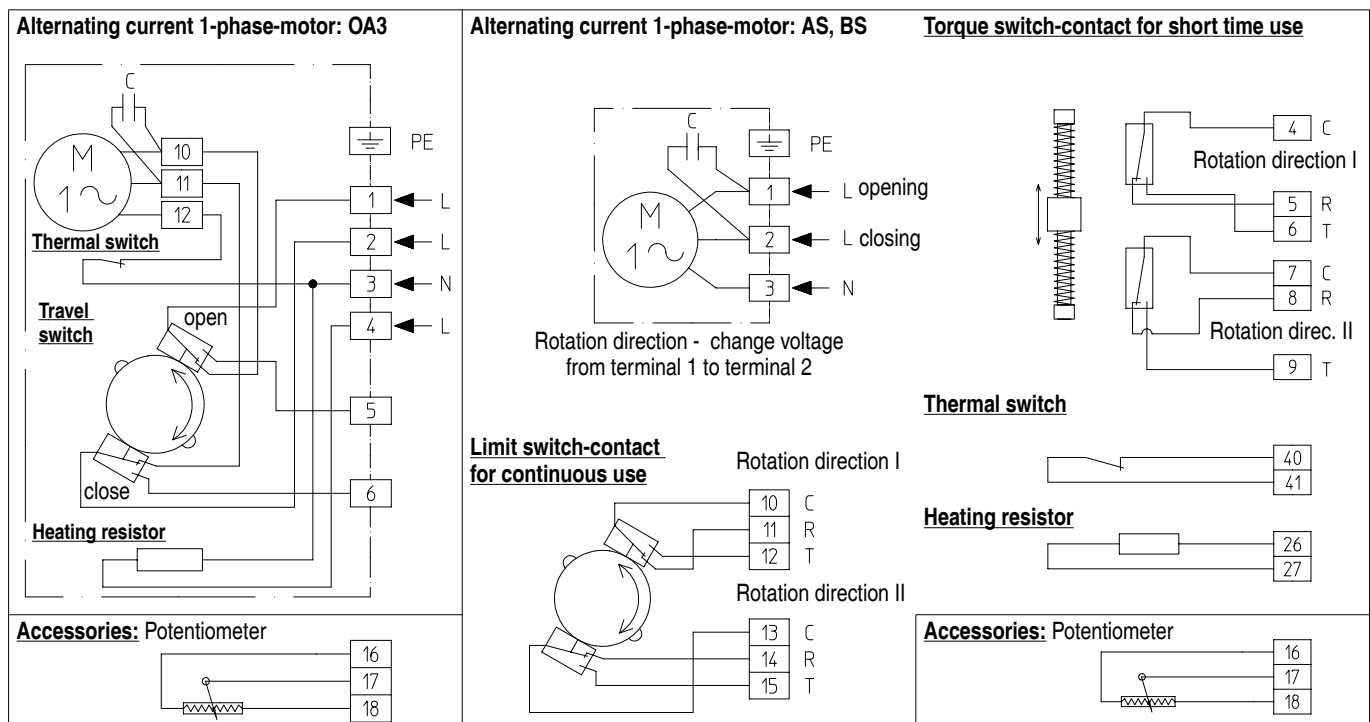
Accessories:

- Travel switch
- Potentiometer
- Positioner 0-10V / 4-20mA
- Position-transmitter
- Reset to start on failure

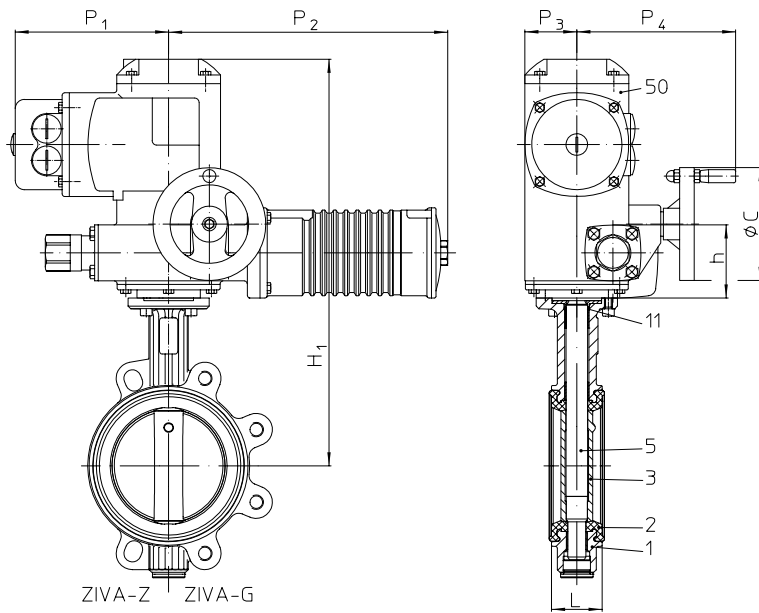
Other voltages on request

DN	25	32	40	50	65	80	100	125	150	200	250	300	350	400	500	600
H1	341	341	347	353	363	371	392	410	426	460	443	517	583	618	706	
h	53										100		86			
∅ C	60									100	160	250				
P1	90						202		260	312	340	392				
P2	160															
P3 / P4	65/125										89/226		133/284			
Type of actuator	OA3						OA6	OA8	OA15	AS25	AS50	BS100				
Operating time (sec.)	6						6		15	10	30					
Weight ZIVA-Z (kg)	7,3	7,3	7,6	8,2	8,7	9,4	10,4	13,4	14,9	19,8	41,0	49,4	65,8	101,0	161,8	on request
Weight ZIVA-G (kg)	7,8	7,8	8,0	8,7	9,3	10,9	12,2	15,6	17,5	23,8	46,6	56,6	79,0	122,4	204,7	

For connection refer to terminal connection in the operating instructions of the actuator



ARI-ZIVA[®]-Z / ARI-ZIVA[®]-G Butterfly valve with soft seal, maintenance free with electric rotary actuator Type: Auma



Auma Electric rotary actuator

- For temporary service S 2-15 min. (optional: for control S4 25%)
- 400V 50Hz (230V 50Hz)
- Enclosure IP 67
- Temperature guard in the motor
- Heating device
- **Accessories:**
 - Travel switch
 - Potentiometer
 - Positioner 0-10V / 4-20mA
 - Position-transmitter

Other voltages on request

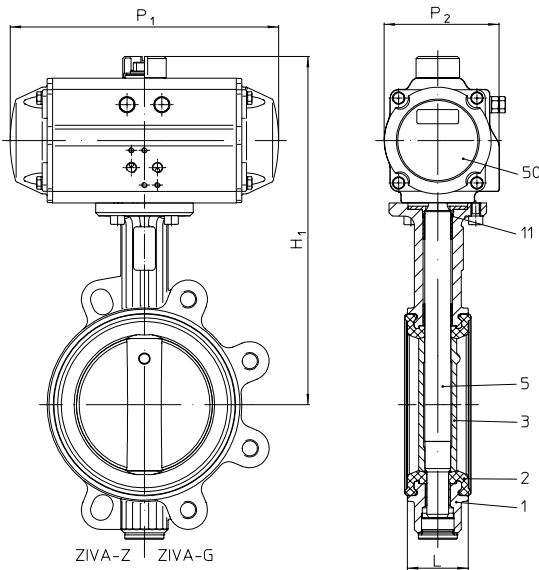
DN	25	32	40	50	65	80	100	125	150	200	250	300	350	400	500	600
H1	403	403	409	415	425	433	454	471	487	521	548	593	651	722	810	
h	82											88	102			
Ø C	160															
P1	195											205				
P2	291											301				
P3 / P4	58/191											75/216	75/233			
Type of actuator	SG05										SG07	SG10	SG12			
Operating time (sec.)	16														22	
Weight ZIVA-Z (kg)	19,6	19,3	19,6	20,2	20,7	21,4	22,4	24,4	25,9	29,8	39,0	53,4	69,8	101,0	161,8	
Weight ZIVA-G (kg)	19,8	19,8	20,0	20,7	21,3	22,9	24,2	26,6	28,5	33,8	44,6	60,6	83,0	122,4	204,7	

on re-quest

For connection refer to terminal connection in the operating instructions of the actuator !

<p>3-phase current actuator</p>	<p>Standard</p> <p>S1 - DSR / S2 - DÖL = Torque switch S3 - WSR / S4 - WÖL = Travel switch F1 - Th = Thermal switch</p>	<p>Heating device</p> <p>Accessories: Potentiometer</p>
	<p>R1 - H = Heating R2 = Potentiometer</p>	

ARI-ZIVA[®]-Z / ARI-ZIVA[®]-G Butterfly valve with soft seal, maintenance free with pneumatic rotary actuator Type: AIR TORQUE



AIR TORQUE Pneumatic rotary actuator

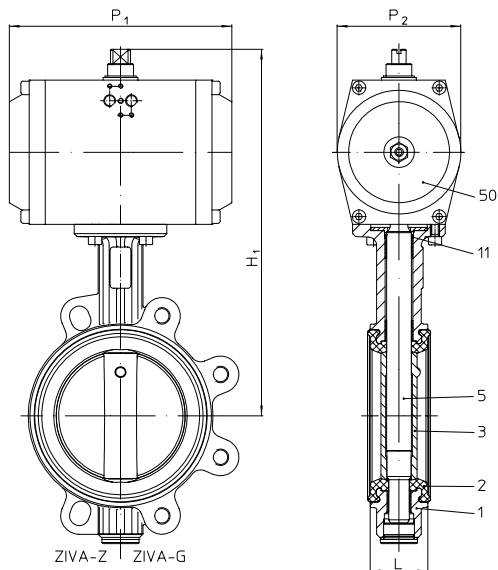
- Function: double acting
single acting, spring close (open)
- Actuating pressure 6 bar (=0,6 MPa)
- Position indicator
- **Accessories:**
 - Limit switches for open / close indication
 - Solenoid valve
 - Exhaust silencer with throttling function
 - Positioner

Other actuating pressures on request

DN	25	32	40	50	65	80	100	125	150	200	250	300	350	400	500	600											
double acting																											
H1	222	222	228	234	244	252	290	321	337	383	438	499	565	625	782	on request											
P1 / P2	159/83						211/95	248/106		269/123		315/141		409/172			438/187	543/222									
Type of actuator	DR30						DR60	DR100		DR150		DR220		DR450			DR600	DR1200									
Weight ZIVA-Z (kg)	2,9	2,9	3,2	3,8	4,3	5,0	7,0	10,2	11,7	17,2	29,4	44,9	61,3	91,8	186,3												
Weight ZIVA-G (kg)	3,4	3,4	3,6	4,3	4,9	6,5	8,9	12,4	14,3	21,2	35,0	52,0	74,5	113,2	211,2												
single acting																											
H1	222	222	228	234	261	282	315	361	389	443	490	587	653	756	867	on request											
P1 / P2	159/83				211/95		248/106		269/123		315/141		345/152		409/172		438/187		543/222		621/262		684/330				
Type of actuator closes	30 SC 6				60 SC 6		100 SC 6		150 SC 6		220 SC 6		300 SC 6		450 SC 6		600 SC 6		1200 SC 6		2000 SC 6		3000 SC 6				
Type of actuator open	30 SO 5				60 SO 5		100 SO 5		150 SO 5		220 SO 5		300 SO 5		450 SO 5		600 SO 5		900 SO 5		1200 SO 5		2000 SO 5		3000 SO 5		
Weight ZIVA-Z (kg)	3,0	3,0	3,3	3,9	5,9	7,8	10,9	16,2	20,5	29,9	45,0	75,5	91,9	136,2	235,0												
Weight ZIVA-G (kg)	3,5	3,5	3,7	4,2	6,5	9,3	12,7	18,4	23,1	33,9	50,6	82,7	105,1	157,6	277,9												

<p>Solenoid valve: for control of double acting actuators 5/2 - way</p>	<p>Accessories: Limit switch in housing</p>
<p>Solenoid valve: for control of single acting actuators 3/2 - way</p>	<p>Accessories: Solenoid valve</p>

ARI-ZIVA[®]-Z / ARI-ZIVA[®]-G Butterfly valve with soft seal, maintenance free with pneumatic rotary actuator Type: bar



bar

Pneumatic rotary actuator

- Function: double acting
single acting, spring close (open)
- Actuating pressure 6 bar (=0,6 MPa)
- **Accessories:**
 - Limit switches for open / close indication
 - Solenoid valve
 - Exhaust silencer with throttling function
 - Position indicator
 - Positioner

Other actuating pressures on request

DN	25	32	40	50	65	80	100	125	150	200	250	300	350	400	500	600			
double acting	H1	221	221	227	233	243	265	286	333	349	406	433	520	586	635	780	on request		
	P1 / P2	127/72				140/82			209/108		222/120		292/120		337/172			377/172	462/224
	Type of actuator	GTD 56/90				GTD 66/90			GTD 66/90		GTD 110/90	GTD 115/90	GTD 143/90		GTD 163/90	GTD 210/90			
	Weight ZIVA-Z (kg)	2,2	2,2	2,5	3,0	3,6	4,9	5,8	9,8	11,3	17,0	28,1	44,8	61,2	88,4	164,6			
	Weight ZIVA-G (kg)	2,7	2,7	2,9	3,6	4,2	6,3	7,6	12,0	13,9	21,0	33,7	52,0	74,4	109,8	207,5			
single acting	H1	235	235	241	247	269	285	338	356	372	426	491	577	643	739	827	on request		
	P1 / P2	140/82				161/94	182/100	222/120		292/120	298/137	337/172		462/224		603/272			
	Type of actuator	GTE 66/90				GTE 76/90	GTE 86/90	GTE 110/90		GTE 115/90	GTE 127/90	GTE 143/90	GTE 210/90		GTE 250/90				
	Weight ZIVA-Z (kg)	2,9	2,9	3,2	3,8	5,2	6,4	8,4	12,6	16,3	22,5	39,0	70,0	86,4	142,6	203,4			
	Weight ZIVA-G (kg)	3,5	3,4	3,6	4,3	5,8	7,8	10,2	14,8	18,8	26,5	44,7	77,2	99,6	164,0	246,3			

<p>Solenoid valve: for control of double acting actuators 5/2 - way</p>	<p>Accessories: Limit switch in housing</p>	<p>Accessories: Limit switch</p>
<p>Solenoid valve: for control of single acting actuators 3/2 - way</p>	<p>Accessories: Solenoid valve</p>	

Dimensions, Kvs- and Zeta-Values

DN	Dimensions					ZIVA-Z - Wafer type butterfly valve				ZIVA-G - Lug type butterfly valve			Zeta- Value	Kvs- Value
	L	H	E	I	SW	PN 6 ØK	PN 10 ØK	PN 16 ØK	n x Ød1 PN 6/16	PN 10 ØK	PN 16 ØK	n x M PN10 / 16		
25*	33	117	58	19	11	75	85	85	4 x Ø11/18	85	85	4 x M12	1,52	20
32*	33	117	58	19	11	90	100	100	4 x Ø11/18	100	100	4 x M16	2,93	24
40	33	123	66	19	11	100	110	110	4 x Ø14/18	110	110	4 x M16	2,42	41
50	43	129	69	19	11	110	125	125	4 x Ø14/18	125	125	4 x M16	1,03	98
65	46	139	81	19	11	130	145	145	4 x Ø14/18	145	145	4 x M16	0,79	190
80	46	147	100	19	11	150	160	160	4 x Ø18	160	160	8 x M16	0,72	302
100	52	168	109	19	11	170	180	180	4 x Ø18	180	180	8 x M16	0,53	550
125	56	186	124	23	17	200	210	210	8 x Ø18	210	210	8 x M16	0,45	930
150	56	202	140	23	17	225	240	240	8 x Ø18/22	240	240	8 x M20	0,32	1525
200	60	236	167	23	17	280	295	295	8 x Ø18/22	295	295	8/12 x M20	0,29	3000
250	68	263	203	24	22	335	350	355	8 x Ø18/26	350	355	12 x M20/24	0,25	5000
300	78	292	232	24	22	395	400	410	8 x Ø22/26	400	410	12 x M20/24	0,24	7300
350	78	358	257	24	22	445	460	470	8/4 x Ø22/26	460	470	16 x M20/24	0,28	9200
400	102	407	298	29	27	495	515	525	4 x Ø22/30	515	525	16 x M24/27	0,29	11800
500	127	495	356	38	36	600	620	650	4 x Ø22/33	620	650	20 x M24/30	0,32	17800
600	154	555	418	48	46	705	725	770	8 x Ø26/36	725	770	20 x M27/33	0,32	25500

* ZIVA-Z - DN 25/32 suitable for flanges PN16 / DN 20

Face-to-face dimension FTF series 20 acc. to DIN EN 558-1 (DIN 3202 T3 series K1)

Figure	ZIVA-Z ZIVA-G	20. / 21. / 22.014 21. / 22.015					
Part	Description	Material, Material-No.					
1	Body	EN-JS 1030 (GGG-40, 0.7040)			EN-JS 1049 (GGG-40.3, 0.7043)		
2	Gasket	EPDM	NBR	FPM	EPDM	NBR	FPM
3	Disc	1.4581, G-X5 CrNiMoNb 18-10					
5	Shaft	1.4021.05, X 20Cr 13			1.4571, X 6 CrNiMoTi 17-12-2		
7	Levercap	St 37 (KTL-coating)					
11	O-Ring	EPDM	NBR	FPM	EPDM	NBR	FPM
14	Bush	St-Bz-PTFE					
26	Washer for shaft protection	1.4021, X 20Cr 13					
50	Lever	EN-JS 1030 (GGG-40, 0.7040) (KTL-coating)					
50	Worm Gear						
50	Actuator rotork (elektrisch)						
50	Actuator Deufra (electric)						
50	Actuator Auma (electric)						
50	Actuator bar (pneumatic)						
50	Actuator AIR TORQUE (pneumatic)						

Information / Restrictions of technical rules to be observed!

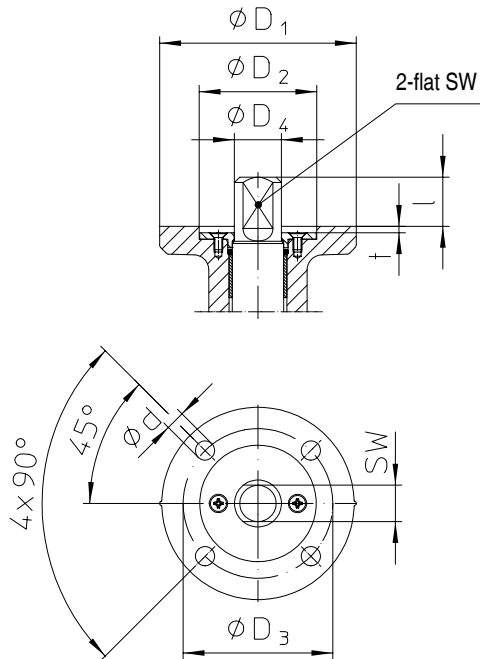
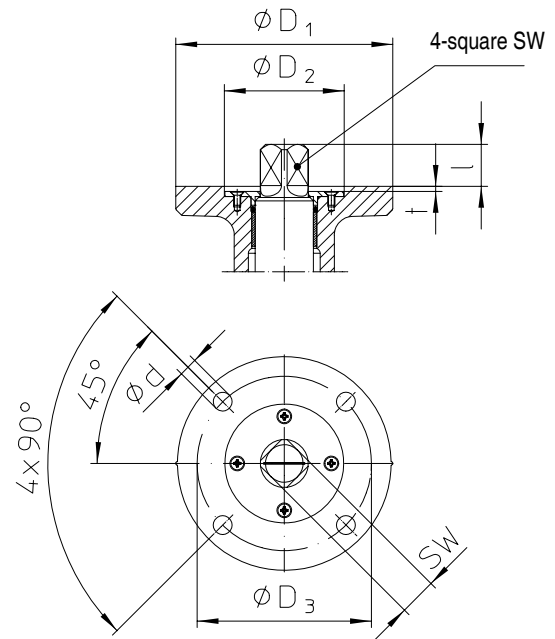
Operating instructions can be ordered on request by phone (+49 52 07) 994-0 or fax (+49 52 07) 994-158 or 159.

Please indicate when ordering:

1. Figure-No.
2. Nominal pressure
3. Nominal diameter
4. Actuation arrangement
5. Special design / accessories

Please indicate in your order, if the valves are to be installed in hazardous areas (ATEX).

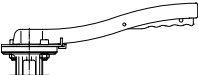
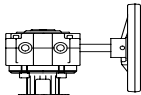

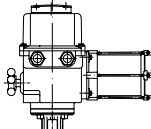
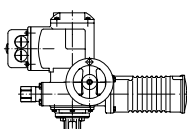
Dimensions in mm
Weights in kg
1 bar \triangleq 10 ⁵ Pa \triangleq 0,1 MPa
Kvs in m ³ /h
1Kvs \triangleq 1,16 Cv (US)

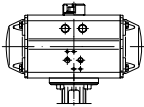
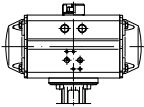
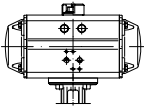
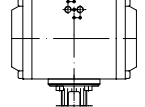
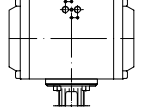
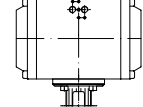
ARI-ZIVA[®]-Z / ARI-ZIVA[®]-G
Actuator flange connection
DN 25 - 200

DN 250 - 600


DN	connection ISO 5211	2-flat SW	ϕD_4	4-square SW	l	t	ϕD_1	ϕD_2	ϕD_3	ϕd
25 - 100	F 05	11 _{d11}	14	--	19	3	65	35	50	7
125 - 200	F 07	17 _{d11}	22	--	23	3	90	55	70	9
250 - 350	F 10	--	--	22 _{d11}	24	3	125	70	102	11
400	F 14	--	--	27 _{d11}	29	4	175	100	140	18
500	F 14	--	--	36 _{d11}	38	4	175	100	140	18
600	F 16	--	--	46 _{d11}	48	5	210	130	165	22

Flange connection ISO 5211

ARI-ZIVA®-Z / ARI-ZIVA®-G - Actuator selection

							
DN	Connect. ISO 5211	Notch lever	Worm gear	Electric rotary actuator	Electric rotary actuator	Electric rotary actuator	
25-50	F 05; 2-flat SW 11	Gr. I	Type AM-0P	rotork 230V 50Hz Type ROM 1	Deufra 230V 50Hz Type OA 3	AUMA 400V 50Hz Type SG 05	
65				ROM AType	Type OA 6		
80				Type ROM 2	Type OA 8		
100	Type ROM 3	Type OA 15					
125	F 07; 2-flat SW 17	Gr. II	Type AM-2P	--	Type AS 25		Type SG 07
150				--	Type AS 50		Type SG 10
200				--	Type AS 50	Type SG 10	
250	F 10; 4-square SW 22	X	Type AM-S	--	Type BS 100	Type SG 12	
300				--	on request		
350				--			
400	sim. F 14; 4-square SW 30	X	Type AM-S	--	on request		
500				--			
600	F 16; 4-square SW 46	X	Type AM-S	--	on request		

							
DN	Connect. ISO 5211	pneumatic rotary actuator, double acting	pneumatic rotary actuator, single acting Spring close the seat	pneumatic rotary actuator, single acting Spring open the seat	pneumatic rotary actuator, double acting	pneumatic rotary actuator, single acting Spring close the seat	pneumatic rotary actuator, single acting Spring open the seat
25-50	F 05; 2-flat SW 11	AIR TORQUE Type DR 30	AIR TORQUE Type 30 SC 6	AIR TORQUE Type 30 SO 5	bar Type GTD 56/90	bar Type GTE 66/90-12	bar Type GTE 66/90-8
65		Type DR 30	Type 60 SC 6	Type 60 SO 5	Type GTD 56/90	Type GTE 76/90-10	Type GTE 76/90-8
80		Type DR 30	Type 100 SC 6	Type 100 SO 5	Type GTD 66/90	Type GTE 86/90-10	Type GTE 86/90-8
100		Type DR 60	Type 150 SC 6	Type 100 SO 5	Type GTD 66/90	Type GTE 96/90-12	Type GTE 110/90-8
125	F 07; 2-flat SW 17	Type DR 100	Type 220 SC 6	Type 150 SO 5	Type GTD 96/90	Type GTE 110/90-12	Type GTE 110/90-8
150		Type DR 100	Type 300 SC 6	Type 220 SO 5	Type GTD 96/90	Type GTE 115/90-12	Type GTE 115/90-6
200		Type DR 150	Type 450 SC 6	Type 220 SO 5	Type GTD 110/90	Type GTE 127/90-12	Type GTE 127/90-8
250	F 10; 4-square SW 22	Type DR 220	Type 600 SC 6	Type 450 SO 5	Type GTD 115/90	Type GTE 143/90-12	Type GTE 143/90-8
300		Type DR 450	Type 1200 SC 6	Type 900 SO 5	Type GTD 143/90	Type GTE 210/90-10	Type GTE 210/90-8
350		Type DR 450	Type 1200 SC 6	Type 900 SO 5	Type GTD 143/90	Type GTE 210/90-10	Type GTE 210/90-8
400	sim. F 14; 4-square SW 30	Type DR 600	Type 2000 SC 6	Type 1200 SO 5	Type GTD 163/90	Type GTE 250/90-8	Type GTE 250/90-6
500		Type DR 1200	Type 3000 SC 6	Type 2000 SO 5	Type GTD 210/90	Type GTE 250/90-8	Type GTE 250/90-6
600	F 16; 4-square SW 46	on request					

On request: Limit switches, other motor voltages, potentiometer, air-throttle etc.



Technology for the Future.
GERMAN QUALITY VALVES

Actuating pressure 6 bar (0.6 MPa)

ARI-Armaturen Albert Richter GmbH & Co. KG, D-33756 Schloß Holte-Stukenbrock,

Tel. +49 52 07 / 994-0, Telefax +49 52 07 / 994-158 or 159 Internet: <http://www.ari-armaturen.com> E-mail: info.vertrieb@ari-armaturen.com